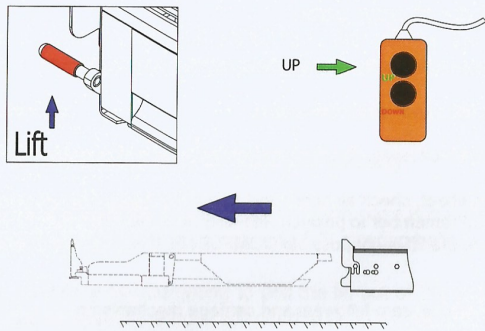
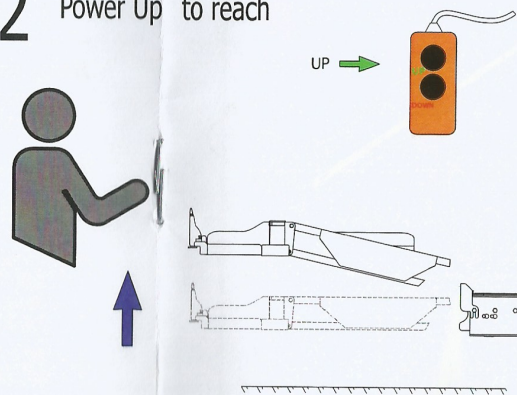


Operating Procedure

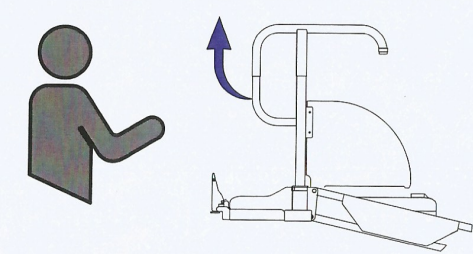
1 Lift Out



2 Power Up to reach

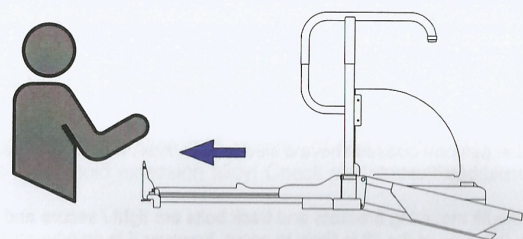


3 Raise Up Handrails



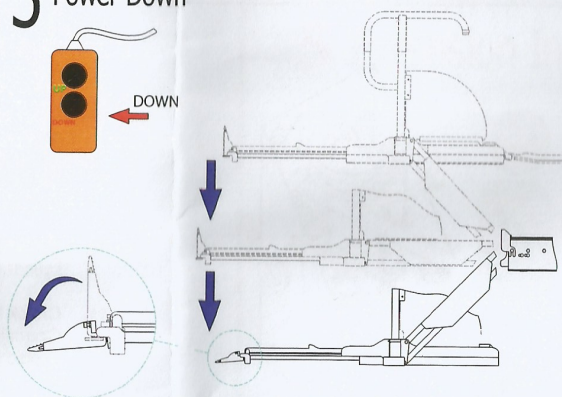
Ensure Handrails are Correctly Engaged

4 Pull Out Extension

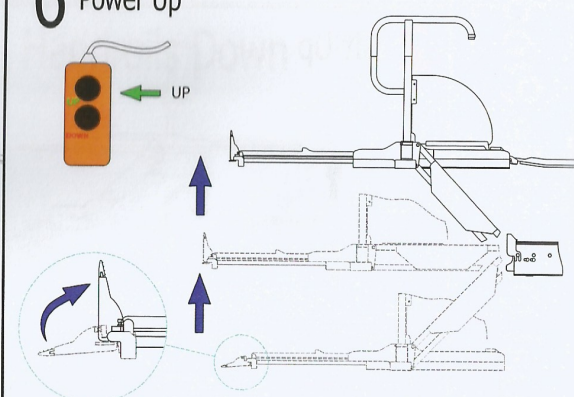


Ensure Aluminium Drops and Locks

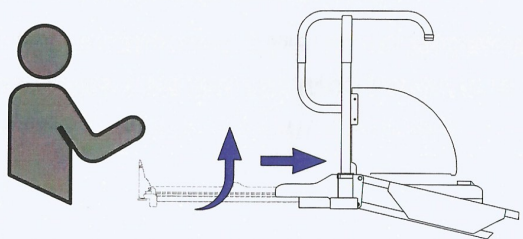
5 Power Down



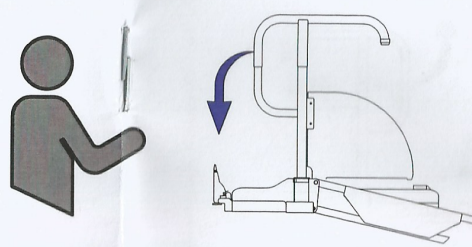
6 Power Up



7 Lift Up Aluminium
Push Extension In



8 Fold Down Handrails



9 Lift In to Stow

